

DO YOU HAVE THE TOUCH

INTRODUCING

THE NEXT GENERATION IN SINGLE CUP BREWING SYSTEMS

*Eccellenza*TM
touch

Revolutionizing single-cup brewing since 1965





Brew exceptional coffee and today's most popular hot specialty beverages—at the touch of a screen.



HIGH-DEFINITION EXCELLENCE

Featuring:



Intuitive User Interface

User-friendly interactive touchscreen designed with the latest market standards and trends.



Customer Experience

High-quality images to easily identify beverage and enhance customer experience.



One Touch

Select most popular beverage with one touch of the screen.

The Eccellenza Touch with its high-definition user-friendly 10.1" touchscreen, simplifies the beverage selection process, offers the freshest cup of coffee possible and a wide variety of specialty beverages—all this, ground and brewed to perfection in seconds. Great coffee for even the most discerning coffee connoisseurs.

This one of a kind, revolutionary new brewing system alleviates mess and clean up, while ensuring the convenience, consistent taste and quality for which VKI's single cup brewing systems are renowned.



GOLD CUP
SERVICES

801-486-3714 | goldcupservices.com



*Eccellenza*TM
touch

Introducing bean-to-cup brewing excellence



EccellenzaTM touch

The beauty of the Eccellenza Touch is its high-definition, user-friendly 10.1" touchscreen. It simplifies the beverage selection process while offering gourmet coffee and a wide variety of specialty beverages. As a bean-to-cup system, the coffee is always as fresh as can be – ground and brewed to perfection in seconds.

There is a tasty beverage for everyone... including the most sophisticated coffee drinkers:



BEVERAGE SELECTION:



You can choose
3 brewing strengths and
3 cup sizes: 8 oz 10 oz 12 oz
for any coffee



GOLD CUP
SERVICES

801-486-3714 | goldcupservices.com

Revolutionizing single-cup brewing since 1965

VKI
TECHNOLOGIES
A DIVISION OF KEURIG CANADA INC.

Innovative design driven by simplicity and excellence



Intuitive User Interface

User-friendly interactive touchscreen designed with the latest market standards and trends.



Customer Experience

High-quality images to easily identify beverage and enhance customer experience.



One Touch

Select most popular beverage with one touch of the screen.



Easy Updates

Firmware upgrade via USB Flash drive.

choose a green solution

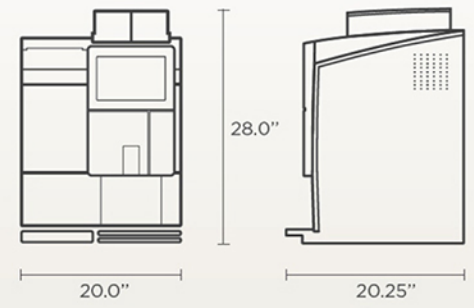
Waste-Free: no paper filter required and coffee is compostable

Energy-Saving Mode during preset periods of time

TECHNICAL SPECIFICATIONS

- Revolutionary New Brewing System
- 2 Coffee Bean Dispensers
- 3 Soluble Powder Dispensers
- Easy Set-Up & Configuration
- Low Maintenance Requirements
- Wireless Capabilities
- External access (no dedicated caretaker)
- Shorter machine than the competition
- Counter footprint is considerably smaller (27.5" H x 20" W x 21.8" D)

Brewer dimensions 28.0" H x 20.0" W x 20.25" D
 Installation requirement 34.5" H x 22.0" W x 22.5" D
 LCD Screen 10.1" (Diagonal)
 Cup sizes 8-oz, 10-oz, 12-oz
 Total weight (empty) 79.2 lbs
 Voltage rating 120 Volts AC, 60 Hz
 Heater wattage 1300 Watts
 Water supply Plumbed 3/4" STD hose connection or pump and bottled water system
 Certifications/Listings ETL (UL, CSA), NSF



GOLD CUP SERVICES

801-486-3714 | goldcupservices.com



*Eccellenza*TM
touch