

New from the Infusion Series® family  
[bunn.com/infusion-series](http://bunn.com/infusion-series)

 **BUNN**®

**NEW**  
**Infusion Series®**

Twin Brewer with modern  
Soft Heat® servers

The new standard in batch brewing



Black/SS model shown  
(servers sold separately)

### Quality in the Cup

Exclusive Peak Extraction™ Sprayhead is multi-directional with a 17-hole design to ensure ultimate uniformity of extraction

BUNN Infusion Series technology allows for multiple recipes from one footprint with six brew buttons and three batch sizes

Brew batches of .5gal, 1gal or 1.5gal (1.9, 3.8 or 5.7L)

USB programming

New Soft Heat® servers are ergonomic, lighter weight, energy efficient and now offer programmable recipe/batch based holding times and temperatures, alerting staff when freshness has expired or server is empty

### Great Design

Sleek, modernized design language on the brewer and servers

Rounded angles on the corners and trunk

Coordinating petal-shaped handles on brew basket, dispenser faucet, and hot water faucet create intuitive visual cues for user-interaction

Contrasting stainless steel and black colors create a distinctive, refined look

Better positioned fast flow hot water faucet with greater cup clearance

Bright blue LED light indicators prominently show unit is operational



# Infusion Series®

Twin Soft Heat® Brewer

(22" W x 22.3" D x 32.8" H)  
558mm W x 566mm D x 833mm H

Capacity: 280 8oz (236ml) cups/per hour

## Related Products



1.5 Gal SH Server  
27850.0200



1SH Stand  
27825.0200



2SH Stand  
27875.0200



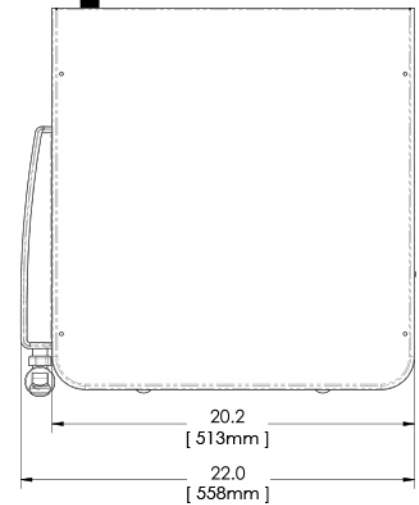
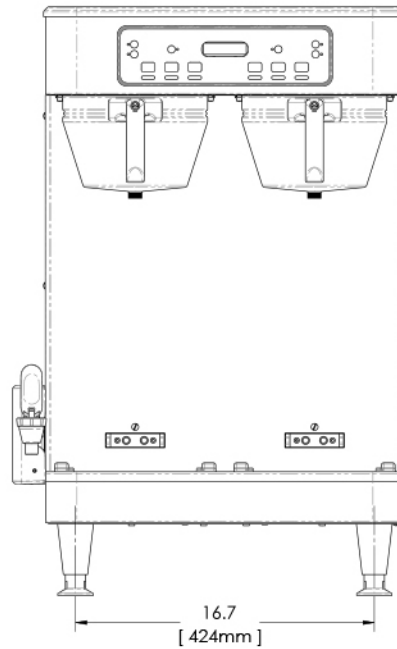
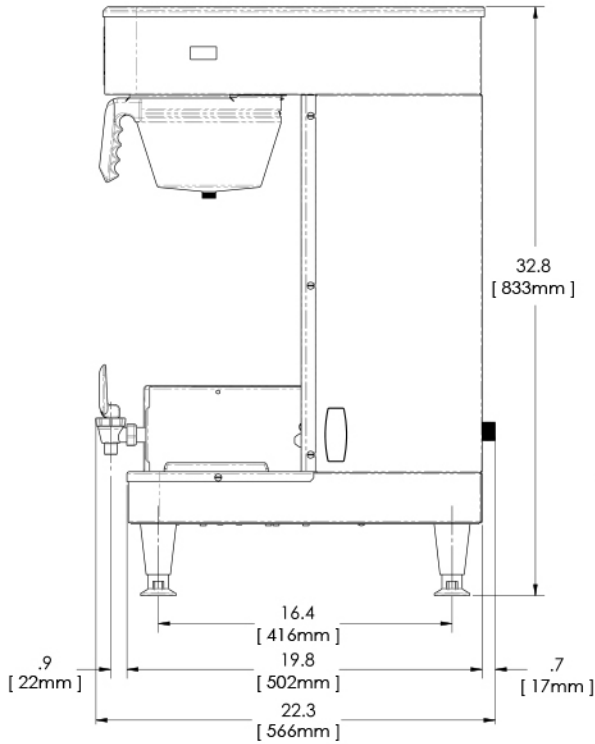
Wireless Monitoring  
Communication Feature  
(Optional, Tablet not included)



Single Drip Tray  
53452.0001



Dual Drip Tray  
53452.0000



DESCRIPTION			CAPACITY	ELECTRICAL							
Product #	Model	Finish	Volts	Amps	Watts	Hertz	Input H <sup>2</sup> O Temp	Phase	Cord Attached	Shipping Weight	
51200.0100	Infusion Twin SH	SS	280 servings/hr	120/240	25	6000	60	60°F (15.5°C)	1	Yes	74.42lbs (33.76kgs)
51200.0101	Infusion Twin SH	Black/SS	280 servings/hr	120/240	25	6000	60	60°F (15.5°C)	1	Yes	74.42lbs (33.76kgs)
51200.0103	Infusion Twin SH with Wireless Communication	SS	280 servings/hr	120/240	25	6000	60	60°F (15.5°C)	1	Yes	74.42lbs (33.76kgs)
51200.0104	Infusion Twin SH with Wireless Communication	Black/SS	280 servings/hr	120/240	25	6000	60	60°F (15.5°C)	1	Yes	74.42lbs (33.76kgs)
Plumbing: 20-90 PSI / 138-621 kPa. 3/8" Male Flare Fitting											
27850.0200	Infusion SH Server	SS	1.5gal (5.7L)	NA	NA	NA	NA	NA	NA	NA	16.9lbs (7.7kgs)
27825.0200	Infusion 1SH Stand	SS	1 SH Server	120	1.2	138	60	NA	1	Yes	12.55lbs (5.7kgs)
27825.0201	Infusion 1SH Stand with Wireless Communication	SS	1 SH Server	120	1.2	138	60	NA	1	Yes	12.55lbs (5.7kgs)
27875.0200	Infusion 2SH Stand	SS	2 SH Servers	120	1.8	216	60	NA	1	Yes	20.95lbs (9.5kgs)
27875.0201	Infusion 2SH Stand with Wireless Communication	SS	2 SH Servers	120	1.8	216	60	NA	1	Yes	20.95lbs (9.5kgs)

BUNN® reserves the right to change specifications and product design without notice. Such revisions do not entitle the buyer to corresponding changes, improvements, additions, or replacements for previously purchased equipment. For most current specifications and other info visit [bunn.com](http://bunn.com).